

TEAM PRODUCTS INTERNATIONAL INC. Limited Warranty

WHAT IS COVERED: Any defect in materials and workmanship.

FOR HOW LONG: 2 years from date of purchase.

WHAT WE WILL DO: If your product is defective and returned within 30 days after the date it was purchased, we will replace it at no charge to you. If returned after 30 days but within 2 years of the date of purchase we will repair it or, at our option, replace it at no charge to you.

If we repair your product, we may use new or reconditioned replacement parts. If we choose to replace your product, we may replace it with a new or reconditioned one of the same or similar design. The repair or replacement will be warranted under our standard 2 year warranty.

LIMITATIONS: IMPLIED WARRANTIES, INCLUDING THOSE OF FITNESS FOR A PARTICULAR PURPOSE AND MERCHANTABILITY (AN UNWRITTEN WARRANTY THAT THE PRODUCT IS FIT FOR ORDINARY USE), ARE LIMITED TO 2 YEARS FROM DATE OF PURCHASE. WE WILL NOT PAY FOR LOSS OF TIME, INCONVENIENCE, LOSS OF USE OF YOUR PRODUCT OR PROPERTY DAMAGE CAUSED BY YOUR PRODUCT OR ITS FAILURE TO WORK, OR ANY OTHER INCIDENTAL OR CONSEQUENTIAL DAMAGES INCLUDING PERSONAL INJURY.

Some states do not allow limitations on how long an implied warranty lasts or the exclusion or limitation of incidental or consequential damages, so the above exclusions or limitations may not apply to you.

WHAT WE ASK YOU TO DO: To get warranty service for your product, you must provide proof of the date of purchase. Within 30 days of the date it was purchased, return your product to your place of purchase for immediate replacement. After 30 days, but before the end of the 2 year warranty period, you may return the product to the following address:

**Team Products International
Attn: Customer Service Returns
35 A Continental Drive
Wayne, NJ 07470**

We suggest that you retain your original packing material in the event you need to ship your product. When sending your product include your name, address, phone number, proof of date of purchase, and a description of the operating problem. After repairing or replacing your product, we will ship it to your home or office within four weeks.

WHAT THIS WARRANTY DOES NOT COVER: AMONG OTHER THINGS THIS WARRANTY DOES NOT COVER DEFECTS RESULTING FROM ACCIDENTS, DAMAGE WHILE IN TRANSIT TO OUR SERVICE LOCATION, ALTERATIONS, UNAUTHORIZED REPAIR, FAILURE TO FOLLOW INSTRUCTIONS, MISUSE, FIRE, FLOOD, AND ACTS OF GOD. IF YOUR PRODUCT IS NOT COVERED BY OUR WARRANTY, CALL OUR CUSTOMER SERVICE NUMBER AT (888) 231-4022 TO DETERMINE WHETHER WE WILL REPAIR YOUR PRODUCT AND OTHER REPAIR INFORMATION, INCLUDING CHARGES. WE, AT OUR OPTION, MAY REPLACE RATHER THAN REPAIR YOUR PRODUCT WITH A NEW OR RECONDITIONED ONE OF THE SAME OR SIMILAR DESIGN. THE REPAIR OR REPLACEMENT WILL BE WARRANTED FOR 2 YEARS.

THIS LIMITED WARRANTY IS THE ONLY ONE WE GIVE ON YOUR PRODUCT, AND IT SETS FORTH ALL OUR RESPONSIBILITIES REGARDING YOUR PRODUCT. THERE ARE NO WARRANTIES WHICH EXTEND BEYOND THE DESCRIPTION SET FORTH ABOVE.

STATE LAW RIGHTS: This warranty gives you specific legal rights and you may also have other rights which may vary from state to state.

PMP200XL122205-191



Portable Power Source 200 WATTS/400WATTS PEAK

Owner's Manual

PMP200XL Models



©2006 The Coleman Company, Inc. All rights reserved.

COLEMAN® and Coleman® are registered trademarks of The Coleman Company, Inc., used under license. Designed in the USA and custom-manufactured in China for Team Products International Inc. Distributed by Team Products International Inc., Mountain Lakes, NJ 07046.



PMP200XL Models

Owner's Manual





Welcome

This COLEMAN® product has been carefully engineered and manufactured to give you dependable operation. Please read this manual thoroughly before operating your new COLEMAN® product, as it contains the information you need to become familiar with its features and obtain the performance that will bring you continued enjoyment for many years. Please keep this manual on file for future reference.

About COLEMAN® Inverters

The new line of super-efficient COLEMAN® power inverters are innovative in design and have the highest surge capability in the industry. These extremely advanced, microprocessor controlled units run cooler and more reliable than any in their class. Their superior surge capability allows them to start even the most difficult loads, including color televisions, TV/VCR combinations, microwaves, refrigeration units, even small air conditioners! They also sport the highest efficiency available (up to 80%) which translates into longer running time and extended battery life. Inverters convert low voltage, direct current (DC) to 110/120-volt alternating current (AC). Depending on the model and its rated capacity, the inverters draw power either from standard 12-volt automobile and marine batteries or from portable high power 12-volt sources.

Getting Started

When you turn on an appliance or a tool that operates using a motor or a tube, (such as a television), it requires an initial surge of power to start up. This surge of power is referred to as the "starting load" or "peak load".

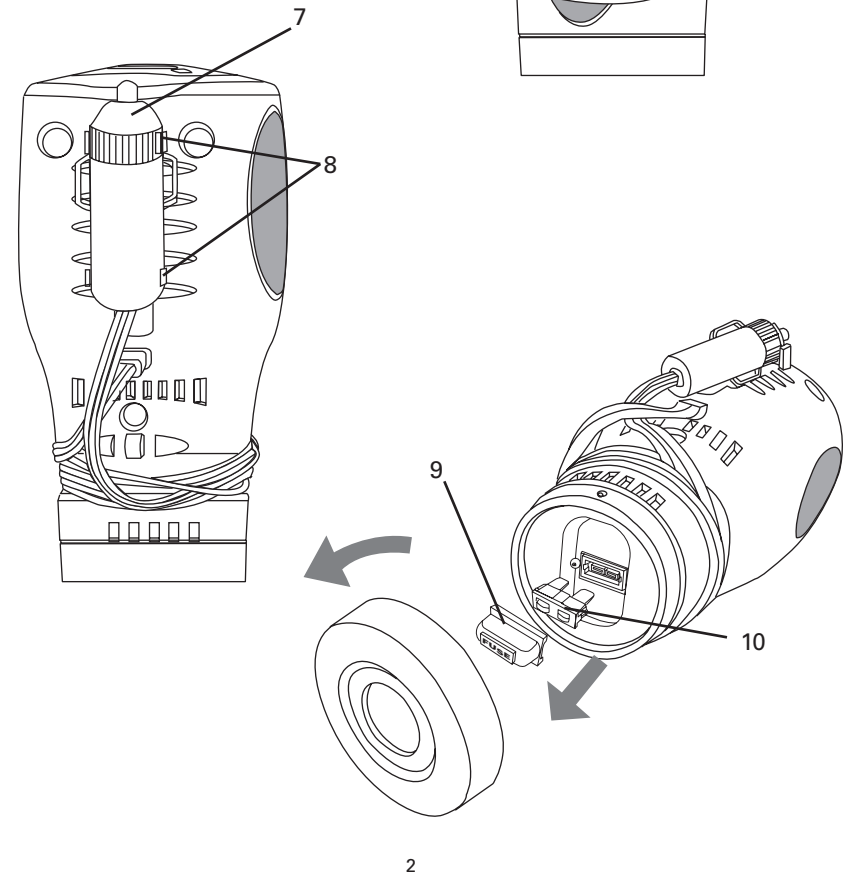
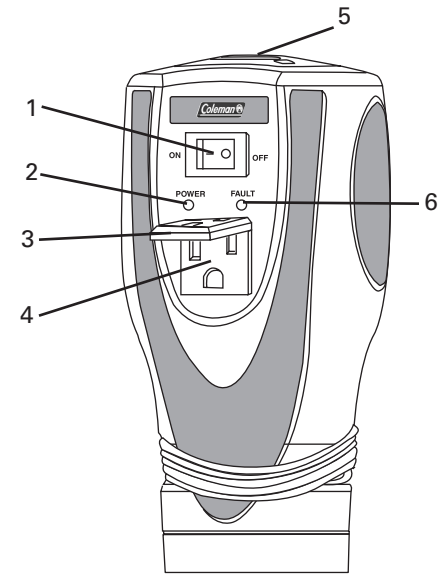
Once started, the appliance or tool requires less power to continue to operate. This is referred to as the "continuous load." You will need to determine how much power your appliance or tool requires to start up (peak power) and it's continued operating power requirements (continuous load). Power consumption is rated either wattage (watts) or amperes (amps). This information is usually stamped or printed on most appliances and equipment. If this information is not indicated on the actual product, check the owner's appliance or equipment, check the owner's manual or contact the manufacturer to determine the power consumption. Be sure that the power consumption of the item you wish to operate is rated at 200 watts or less.

Multiply: AMPS X 110/120 (AC voltage) = WATTS

This formula yields a close approximation of the continuous load of the appliance. All COLEMAN® inverters are designed to automatically shut down in the event of a power overload. This protection feature prevents damage to the unit while testing items with ratings in the 200-watt range.

Location of Controls

1. ON/OFF Power Switch
2. Green LED Indicator Light
3. Protective Outlet Cover
4. 110/120 Volt AC Outlet
5. Cooling Fan
6. Red LED Indicator Light
7. 12Volt DC Power Cord
8. Clips For Power Cord
9. Fuse Cover
10. 25Amp Fuse





CAUTION

- The inverter is designed to operate from a 12-volt power source only. The unit will not operate from a 6-volt battery or a 24-volt battery. **Do not attempt to connect the inverter to any other power nominal output voltage other than 12 volts or damage to the unit may occur. Any damage to the unit that occurs from operating the inverter from any power source greater than or less than 12 volts will automatically void the warranty.**
- Do not attempt to extend or otherwise modify the 12-volt power cord attached to the inverter.
- 110/120 volts can inflict serious injury, damage or death. Improper use of the inverter may result in property damage, personal injury or loss of life.

Connecting the Inverter

The inverter is equipped with a fused 12-volt power cord for connection to the power source.

1. Make sure that the ON/OFF power switch located on the front panel of inverter is in the OFF(O) position.
2. Connect the inverter to the power source by inserting the 12-volt power cord firmly into the cigarette lighter socket of your vehicle or other 12-volt DC power source.
3. Turn the inverter power switch to the ON(-) position. The GREEN LED Indicator Light should illuminate to confirm that power is running to the inverter.
4. Make sure that the device you intend to operate is turned OFF. Plug the cord from the equipment into the AC outlet located on the front panel of the inverter.
5. Turn the inverter power switch to the ON(-) position; then turn the equipment ON.

Notes

- The audible alarm may make a momentary “chirp” when the inverter is turned ON (-) or OFF(O). This same alarm may also sound when the inverter is being connected to or disconnected from the 12-volt power source. This is normal.
- If the GREEN LED Indicator Light blinks when you first turn the inverter ON(-), this may indicate an interruption of the power supply. Simply turn the inverter OFF(O) and remove the 12-volt power cord from the cigarette lighter socket (or other 12-volt power source). Firmly re-insert the 12-volt power cord, then turn the inverter ON(-) again. If this does not fix the problem, try using a different 12-volt power source or check the cigarette lighter fuse.

Source of Power

Most automobile and marine batteries will provide an ample power supply to the inverter for 30 to 60 minutes even when the engine is turned off. Actual time may vary depending on the age and condition of the battery and the power demand being placed on it by the equipment being operated.

If you decide to use the inverter while the engine is off, we recommend that you start the engine every 30 to 60 minutes and let it run for approximately 10 minutes to recharge the battery. It is also recommended that the device plugged into the inverter be turned OFF before starting the vehicle engine.

Although it is not necessary to disconnect the inverter when starting the vehicle engine, it may momentarily cease to operate as the battery voltage decreases. When the inverter is not supplying power, it draws very low amperage from the battery. It is recommended that the inverter always be disconnected when not in use.

Blown Automotive Fuses

Depending on the make and model of your automobile, running the power inverter near full capacity from your cigarette lighter socket may result in a blown automotive cigarette lighter fuse. This fuse will need to be replaced with the same type and size fuse. A blown automotive cigarette lighter fuse will not cause damage to your vehicle wiring.

Blown Inverter Fuses

Your power inverter is equipped with a 25-amp spade type fuse. With reasonable care, it should not be necessary to replace this fuse. In general, most blown fuses are the result of reverse polarity hook up of the inverter to a 12-volt power source (positive to negative and/ or negative to positive). If the fuse happens to blow, disconnect the appliance or equipment from the inverter immediately. Find the source of the problem, repair it and then install a new fuse of the same type and size located on the rear panel of the inverter.

Note

Always disconnect the power inverter from the 12-volt power source and make sure the inverter is turned OFF before replacing the fuse.

Safety and Usage Precautions

- For best operating results, place the inverter on a flat surface.
- Keep the inverter dry. Do not expose the inverter to rain or moisture.
- DO NOT operate the inverter if you, the inverter, the device being operated, or any surface that may come into contact with the inverter are wet. Water and other liquids can conduct electricity, which may lead to serious injury or death.



- Avoid placing the inverter on or near heating vents, radiators or other sources of heat. Do not place or use the inverter in direct sunlight. Ideal air temperatures should be between 50°F and 80°F.
- In order to properly disperse the heat generated from the inverter while it is operating, keep the inverter well ventilated. Keep the area surrounding the inverter clear while in use.
- Do not use the inverter near flammable materials. Do not place the inverter in areas such as battery compartments where fumes or gases may accumulate.

Inverter Protection Features

- **Short Circuit Protection.** The inverter will automatically shut down until short is removed.
- **Low Voltage Alarm.** An alarm will sound when the voltage from the battery discharges to 10.5 +/- 0.5 volts DC. This is an indication that the battery needs to be recharged.
- **Over Voltage Protection.** The RED LED Indicator Light will illuminate and the inverter will automatically turn itself off when the input exceeds 16.5 +/- 1 volt DC.
- **Under Voltage Protection.** The RED LED Indicator Light will illuminate and the inverter will automatically turn itself off when the input is less than 10.0 +/- 0.5 volts DC.
- **Overload Protection.** The RED LED Indicator Light will illuminate and the inverter will automatically turn itself off when the continuous draw of the equipment being operated exceeds 200 watts or the surge draw of the equipment exceeds 400 watts.
- **Thermal Protection.** The RED LED Indicator Light will illuminate and the inverter will automatically turn itself off when the circuit temperature exceeds 130°F.

Notes

- The inverter is equipped with a cooling fan, which is designed to run continuously while the inverter is operating. Automatic shut down of the unit caused by high circuit temperatures will occur when the cooling fan is unable to maintain a cool enough temperature for safe operation.
- In the event of automatic shut down or a continuous audible alarm, turn the inverter power switch to the OFF(O) position until the source of the problem has been determined and resolved.



Television and Audio Suggestions

Although all COLEMAN® inverters are shielded and filtered to minimize signal interference, some interference with your television picture may be unavoidable, especially with weak signals. However, here are some suggestions that may improve reception:

- Make sure the television antenna produces a clear signal under normal operating conditions (at home plugged into a standard 110/120- volt AC outlet). Also, ensure that the antenna cable is properly shielded and/or good quality.
- Change the positions of the inverter, antenna cables and the television power cord.
- Isolate the television, its power cord and antenna cables from the 12-volt power source by running an extension cord from the inverter to the television set.
- Coil the television power cord and the input cables running from the 12-volt power source to the inverter.
- Attach an AC interference filter or similar product between the inverter and the television power cord. These filters are available at most electronic supply stores including Radio Shack.

Note

Inexpensive sound systems may emit a “buzzing” sound when operated with an inverter. This is due to the inadequate filters in the sound system. There is no solution to this problem other than purchasing a sound system with a higher quality power supply.

How Power Inverters Work

Power inverters convert low voltage DC (direct current) power to 110/120-volt AC (alternating current) household power. This conversion process thereby allows you to use household products, power tools, and other electronic products away from normal AC power sources (standard 110/120V wall outlets).

Depending on the model and its rated capacity, inverters can draw power either from standard 12-volt automobile and marine batteries or from portable high power 12-volt power sources. The waveform that is generated by this conversion is a “modified sine wave.” The modified sine wave produced by our inverters has a root square mean (RMS) voltage of 110/120 volts, which is the same as standard household power.

The majority of AC voltmeters are calibrated for RMS voltage under the assumption that the measured waveform will be a pure sine wave. Therefore, these meters will not read the RMS modified sine wave voltage correctly.



They will read about 20 to 30 volts too low. To accurately measure the output voltage of the inverter, use a true RMS reading voltmeter such as a Fluke 87, Fluke 8060A, Beckman 4410, Triplet 4200 or any voltmeter identified as a "true RMS" modified sine wave.

In Review

- Never attempt to operate the inverter from any other power source other than a 12-volt battery.
- The inverter is designed to be connected to the power source with the supplied 12-volt power cord. Do not attempt to modify the power cord in any way.
- When connecting and using the inverter, make sure that the inverter is positioned far away from any potential source of flammable fumes or gases.
- Make certain that the power consumption of the equipment you wish to operate is compatible with the capacity of the inverter. Do not exceed 200-watts.
- When attempting to operate battery chargers, monitor the temperature of the battery charger for approximately 10 minutes. If the battery charger becomes abnormally warm, disconnect it from the inverter immediately.
- Use only 25 amp spade type fuses for the inverter.
- When operating the inverter with an automobile or marine battery, start the engine every 30 to 60 minutes and let it run for approximately 10 minutes to recharge the battery.
- In the event of a continuous audible alarm or an automatic shut down of the unit, turn the inverter OFF immediately. Do not turn the inverter ON again until the source of the problem has been identified and corrected.
- To avoid battery drain, always disconnect the inverter when not in use.
- Do not expose the inverter to rain or moisture.
- Avoid placing the inverter near sources of heat or in direct sunlight.
- While in use, make sure that the inverter is properly ventilated.
- For best operating results, make sure the unit is placed on a flat surface.

Note

If you would like to purchase battery clips for this inverter, they are available for purchase through our Customer Service Department at: 1-888-231-4022



SPECIFICATION:

Max. Continuous Power	200 Watts
Surge Capability (Peak Power)	400 Watts
No Load Current Draw	<0.3A
Waveform	Modified Sine Wave
Input Voltage Range	11-15 VDC
AC Receptacle	110/120V AC 3 prong rounded
Fuse	25 amp (spade type)
Dimensions	3.6"(L) x 4.1"(W) x 6.9"(H) 92(L) x 105(W) x 175(H) /mm
Weight	1.144 lbs (0.52 kgs)
Power Cord Cable	14 AWG (Black) with cigarette plug x 1 pc.

WARNING:

The wattage output from your 12 Volt power port may vary depending on the make and model of your vehicle. Please check your owner's manual.



Questions?

If you have any questions about this product, please contact our Customer Service Department at (888) 231-4022, 9 AM to 5 PM EST, Monday through Friday, or visit our website at www.colemanpower.com.







Troubleshooting

PROBLEM: Low or No Output Voltage

Reason	Solution
 Poor contact with lighter socket or battery terminals.	Unplug and reinsert 12 volt plug or reattach battery clips.
 Using incorrect type of voltmeter to test output voltage.	Use true RMS reading meter.


PROBLEM: Red LED On

Reason	Solution
 Battery voltage below 10.0 ± 0.5 volts.	Recharge or replace battery.
 Equipment being operated draws too much power.	Use a higher capacity inverter or do not use this equipment.
 Inverter is too hot (thermal shutdown mode).	Allow inverter to cool. Check for adequate ventilation. Reduce the load on the inverter to rated continuous power output
 Unit may be defective.	See Warranty and call Customer service at 1-888-231-4022.






Troubleshooting


PROBLEM: TV Interference

Reason	Solution
 Electrical interference from the inverter.	Add an AC interference filter on to the TV power cord. Refer to TV and audio section of this manual.

PROBLEM: Low Battery Alarm On All The Time

Reason	Solution
 Input voltage below 10.5 ± 0.5 volts.	Keep input voltage above 10.5 ± 0.5 volts to maintain regulation.
 Poor or weak battery condition.	Recharge or replace battery.
 Inadequate power being delivered to the inverter or excessive voltage drop.	Check condition of cigarette lighter socket. Clean or replace if necessary

PROBLEM: TV Does Not Work

Reason	Solution
 TV does not turn on.	Try turning the inverter ON/OFF/ON. Contact TV manufacturer for start up surge and power consumption. A larger inverter may be required.

GENERAL POWER REQUIREMENTS

POWER TOOLS	AMPS	WATTS
Glue Gun	0.18	20
Buffer	0.7	77
Rotary Power Tool	1.15	126
Soldering Gun	1.20	132
Finishing Sander	1.60	176
Industrial Orbital Sander	2.00	220
Jigsaw	2.20	232
6" Bench Grinder	2.27	250
3/8" Reversible Drill	2.70	320
Belt Sander	3.20	352
Bench Grinder (Heavy Duty)	3.50	385
4" Disc Grinder	4.60	529
Heavy Duty Reciprocating Saw	6.00	720
14" Chain Saw	10.00	1200
AUDIO/VIDEO		
HiFi Stereo 4-Head VCR	0.36	40
CD Changer/Mini System	0.55	60
9" Color TV/Radio/Cassette Combo	0.59	65
13" Color TV	0.65	72
20" TV/VCR Combo	1.00	110
240 watt RMS Stereo Amplifier	2.27	250
PUMPS		
1/5hp Pump	1.50	165
Upright Sump Pump	5.00	575
1/6hp Submersible Sump Pump	8.00	880
1/2hp Submersible Sump Pump	12.00	1380
PORTABLE LIGHTING		
Twin Worklight	8.18	900
Contractor Grade Worklight	9.69	1000
APPLIANCES		
Sewing Machine	0.90	99
12" 3-Speed Fan	2.10	231
Quartz Halogen Spotlight	2.27	250
Portable Vacuum	4.50	525
Blender	4.82	530
BATTERY CHARGERS		
7.2V Cordless Drill charger	0.07	8
Camcorder (6V, 1200 mA)	0.21	23
Cellular Telephone	0.23	25
HOME OFFICE		
Laptop Computer	0.39	43
Fax w/Auto Feed & Paper Cutter	1.50	165

Chart for reference only.
Please check actual wattage on appliance.